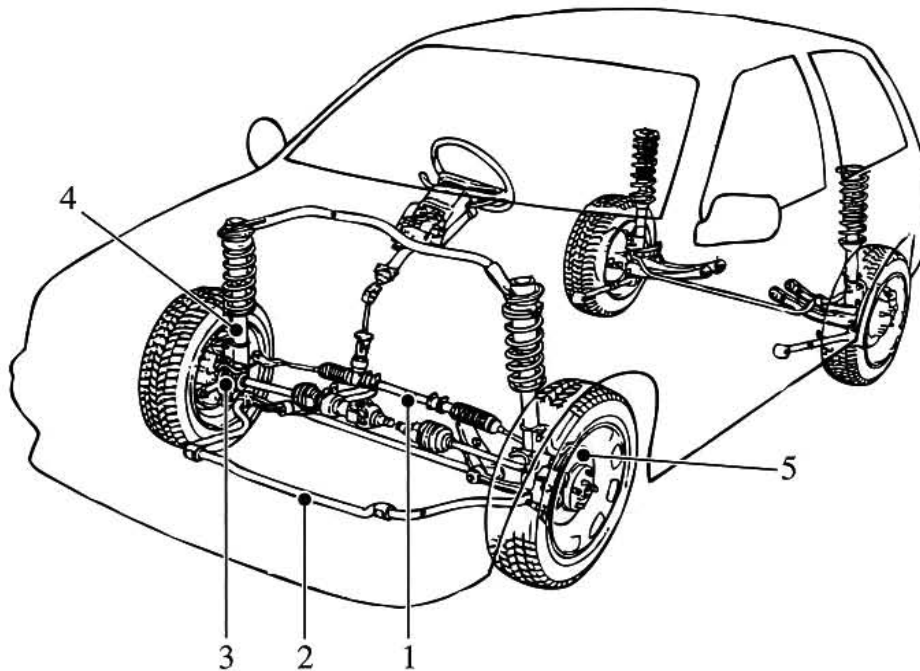


**Question 18 (8 marks)**



(a) Complete the table below, naming each numbered component and describing its function.

5

Name	Function
1. steering rack	controls the steering of the car
2. Sway Bar	help support the front end
3. wheel Bearing	allows the wheel to free spin or have CVs run through
4. wheel spring	keeps the body of the ground and stops wheels from hitting the <del>guard</del> guard
5. disc rotor / disc Brake	allows you to Brake/stop the car or hold the rim secure

**Question 18 continues on page 12**

Question 18 (continued)

- (b) A customer complains that the car battery is constantly running flat.

3

In the table below, list THREE possible faults in the charging system that could be causing the problem. Name the test that you would perform for each fault identified.

Possible fault	Test to perform
short in the Body	check if any leads have been crush to the Body
Battery may have a faulty plate	check Battery plates with a
Battery could have a leak	check around the sides or under neather battery

**End of Question 18**