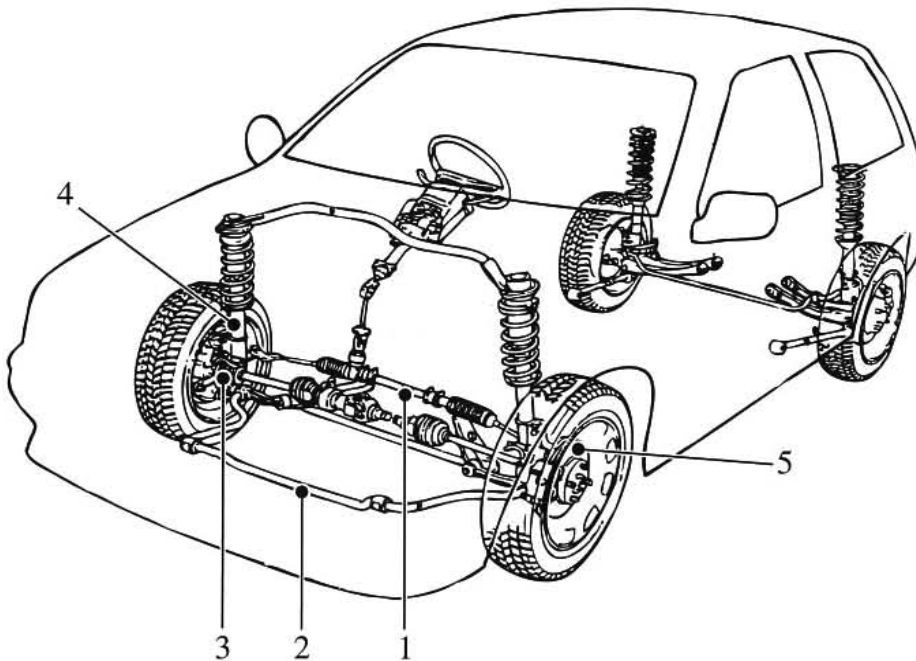


Question 18 (8 marks)



(a) Complete the table below, naming each numbered component and describing its function.

5

Name	Function
1. Steering Column	This column steers the two wheels base on the movement of the Steering wheel
2. Anti-sway bar	This provides stability to the vehicle, when turning of consecutive turns.
3. CV joint	this joint attaches to the centre of the rear wheel, turning the wheels.
4. Damper	The damper, absorbs bumps and turns for comfort and also stability and handling.
5. Rim	The rim is attached to the CV joint spinning it, it is also attached to the tyre giving the vehicle friction when the wheels spinning.

Question 18 continues on page 12

Question 18 (continued)

(b) A customer complains that the car battery is constantly running flat.

3

In the table below, list THREE possible faults in the charging system that could be causing the problem. Name the test that you would perform for each fault identified.

Possible fault	Test to perform
Alternator	A test you can perform could be to test the amount of amps the alternator produces when running and amount of amp the battery uses, this can be done with a voltmeter.
Faulty battery	The fault could be the battery itself to check get a voltmeter and check how much volts your getting from the battery
Faulty wiring.	The fault can be in the wiring, maybe cause a short circuit to identify look in the engine bay for faulty looking wiring.

End of Question 18