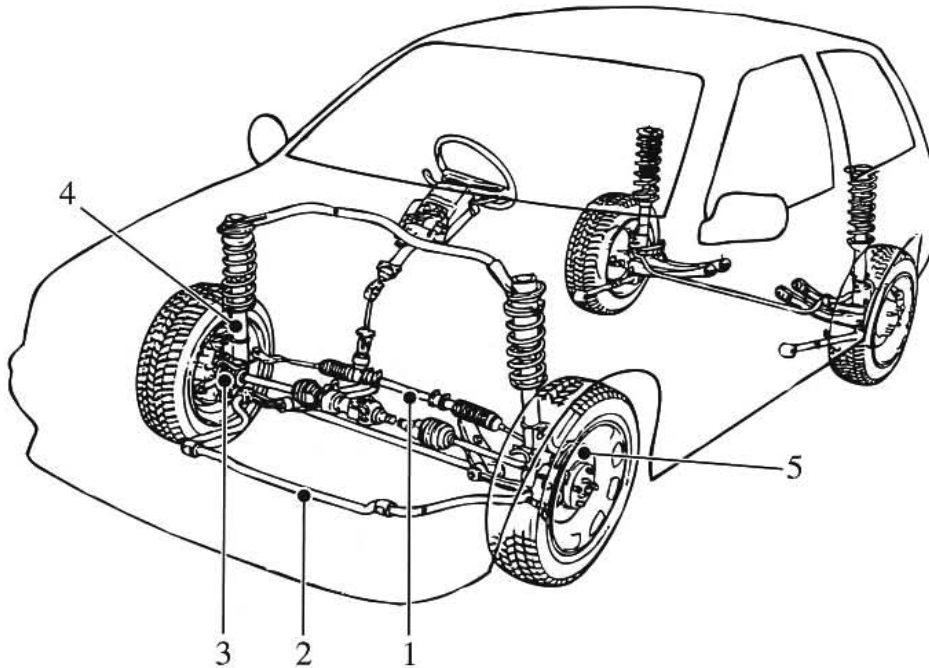


Question 18 (8 marks)



(a) Complete the table below, naming each numbered component and describing its function.

5

Name	Function
1. steering rod.	to ste turns the wheels so the car can turn. It is controlled by steering wheel motion.
2. Sway Bar	helps to keep the wheels aligned and increases durability.
3. Front wheel Joint	gives the flexibility between the wheels and Axle.
4. Suspension rod.	part of suspension systems helps to make the car stable when going over uneven surfaces.
5. Brakes .	used to stop the car .

Question 18 continues on page 12

Question 18 (continued)

- (b) A customer complains that the car battery is constantly running flat.

3

In the table below, list THREE possible faults in the charging system that could be causing the problem. Name the test that you would perform for each fault identified.

Possible fault	Test to perform
faulty Battery	check battery's acid to water levels with a hydrometer. try battery charge to see if it's charging up
faulty Alternator	use an multimeter to test for faults in resistance in alternator and alternator circuit.
wiring.	use test light to check for a drop in power by back probing from start to end of circuit

End of Question 18