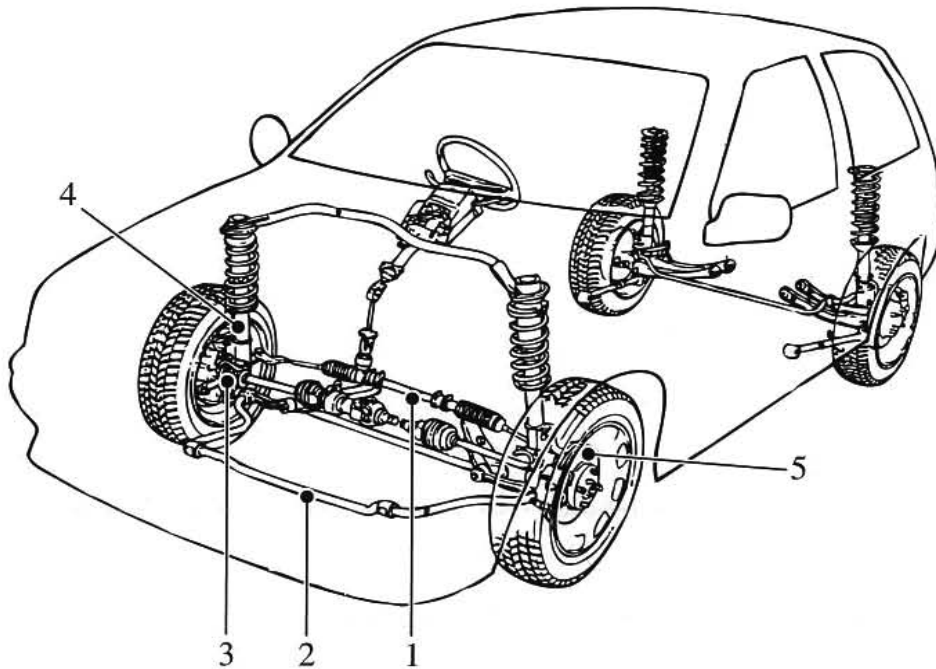


Question 18 (8 marks)



(a) Complete the table below, naming each numbered component and describing its function.

5

Name	Function
1. Steering rack	Power Converts turning force into lateral force which controls the direction of the wheels
2. Swaybar	Prevents excess body roll
3. CV Joint	allows flexibility in the driveshaft to allow steering and suspension travel
4. Shock absorber	Prevents oscillation in the spring after absorbing road shocks.
5. Wheel	Bolts to the hub and gives a suitable surface for mounting the tyre.

Question 18 continues on page 12

Question 18 (continued)

- (b) A customer complains that the car battery is constantly running flat.

3

In the table below, list THREE possible faults in the charging system that could be causing the problem. Name the test that you would perform for each fault identified.

Possible fault	Test to perform
Low alternator charge	Test charge voltage. ~ Start car and measure voltage over battery whilst loading up electrics
Voltage drop between alternator and battery	Measure charge voltage at alternator and battery then compare.
Worn / Expired battery	Battery load test.

End of Question 18